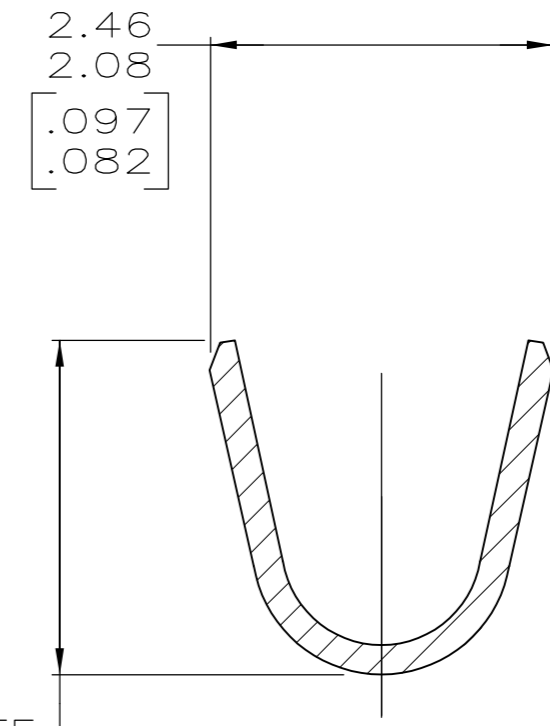
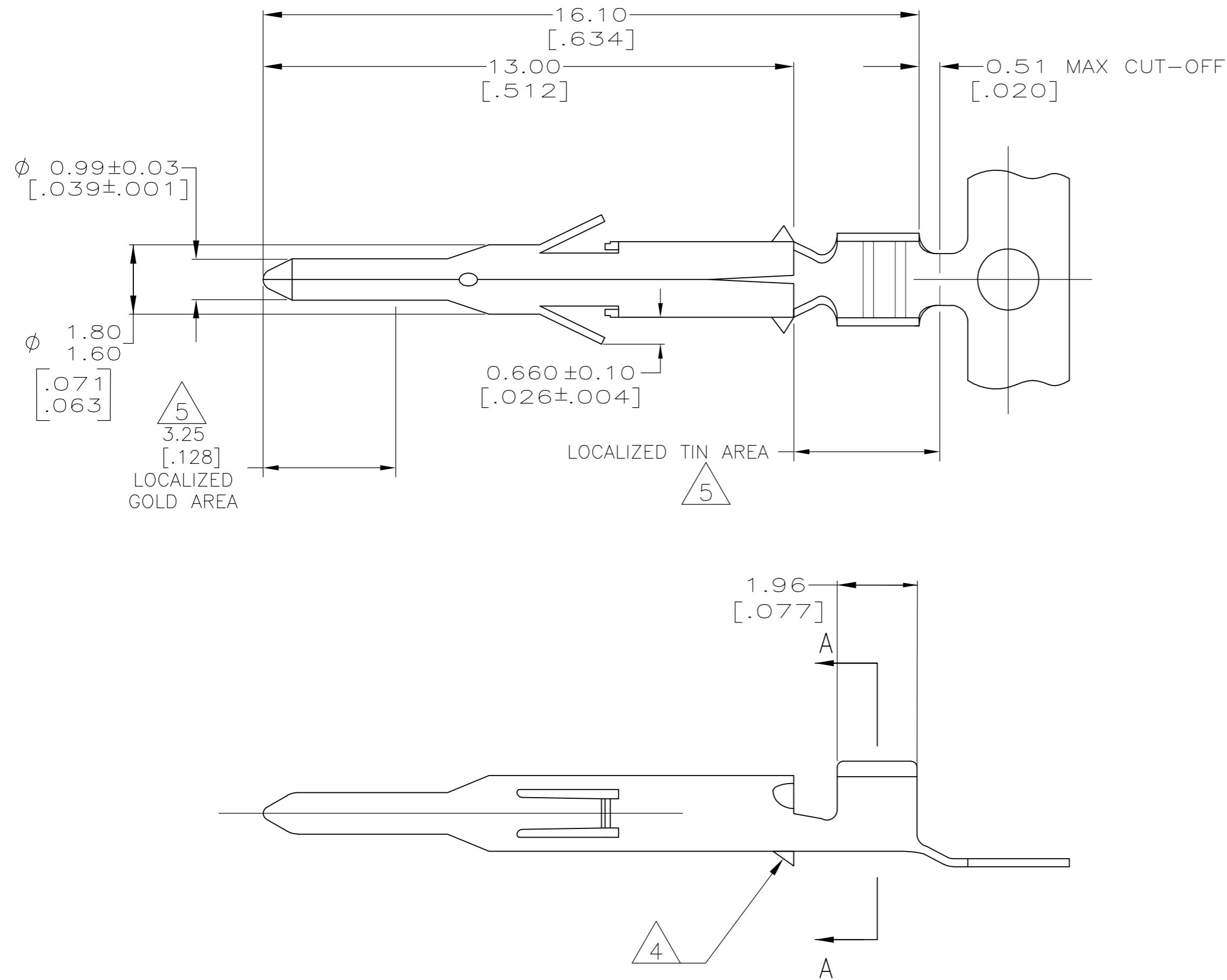


THIS DRAWING IS UNPUBLISHED. RELEASED FOR PUBLICATION  
 © COPYRIGHT - By - ALL RIGHTS RESERVED.

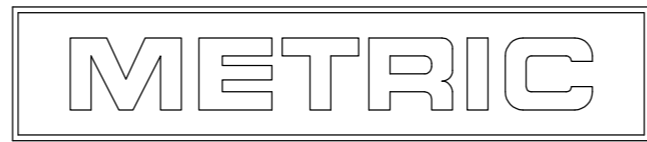
LOC	DIST	REVISIONS			
P	LTR	DESCRIPTION	DATE	DWN	APVD
CM	00	H	ECO-13-000901	08MAR2013	MGT R.P

- 1 WIRE RANGE: 0.3 - 0.9MM<sup>2</sup> (22-18 AWG).
- 2 INSULATION RANGE: 1.50-2.40[.060-.094] DIA.
- 3 DIMENSIONS IN BRACKETS ARE IN INCHES.
- 4 BOTTOM CONTACT STOP IS OPTIONAL CONSTRUCTION.
- 5 0.000762 [.000030] MIN GOLD IN LOCALIZED GOLD PLATE AREA AND 0.00254 [.000100] MIN BRIGHT TIN LOCALIZED TIN PLATE AREA OVER 0.00127 [.000050] MIN NICKEL.



SECTION A-A  
SCALE 20:1

5	0.20 [.008] BRASS	794440-3
NONE	0.20 [.008] BRASS	794440-2
PRE-TIN	0.20 [.008] BRASS	794440-1
FINISH	MATERIAL	PART NO



THIS DRAWING IS A CONTROLLED DOCUMENT.		DWN K. WHITAKER 20FEB2004	TE Connectivity	
DIMENSIONS: mm [INCHES]		CHK C. JONES 20FEB04	NAME PIN, UNIVERSAL MATE-N-LOK	
TOLERANCES UNLESS OTHERWISE SPECIFIED:		APVD C. JONES 20FEB04	SIZE A2	CAGE CODE 00779
0 PLC ± -		PRODUCT SPEC	DRAWING NO C=794440	RESTRICTED TO
1 PLC ± -		APPLICATION SPEC	WEIGHT	SCALE 10:1
2 PLC ± 0.13 [.005]		FINISH	SHEET 1 of 1	REV H
3 PLC ± -		SEE TABLE	CUSTOMER DRAWING	
4 PLC ± -				
ANGLES ± 0°30'				
MATERIAL SEE TABLE				